

**P**rofessional  
**A B X**  
บริษัท โพรเฟสชันแนล พีเอบีเอ็กซ์ จำกัด  
PROFESSIONAL PABX CO.,LTD.  
Tel. 20-519-1718 M. 084-920-5065  
<http://service.pfpbx.com> E-Mail : [info@pfpbx.com](mailto:info@pfpbx.com)

# ***SL1000***

## **System Outline**






**12,26 February, 2011**

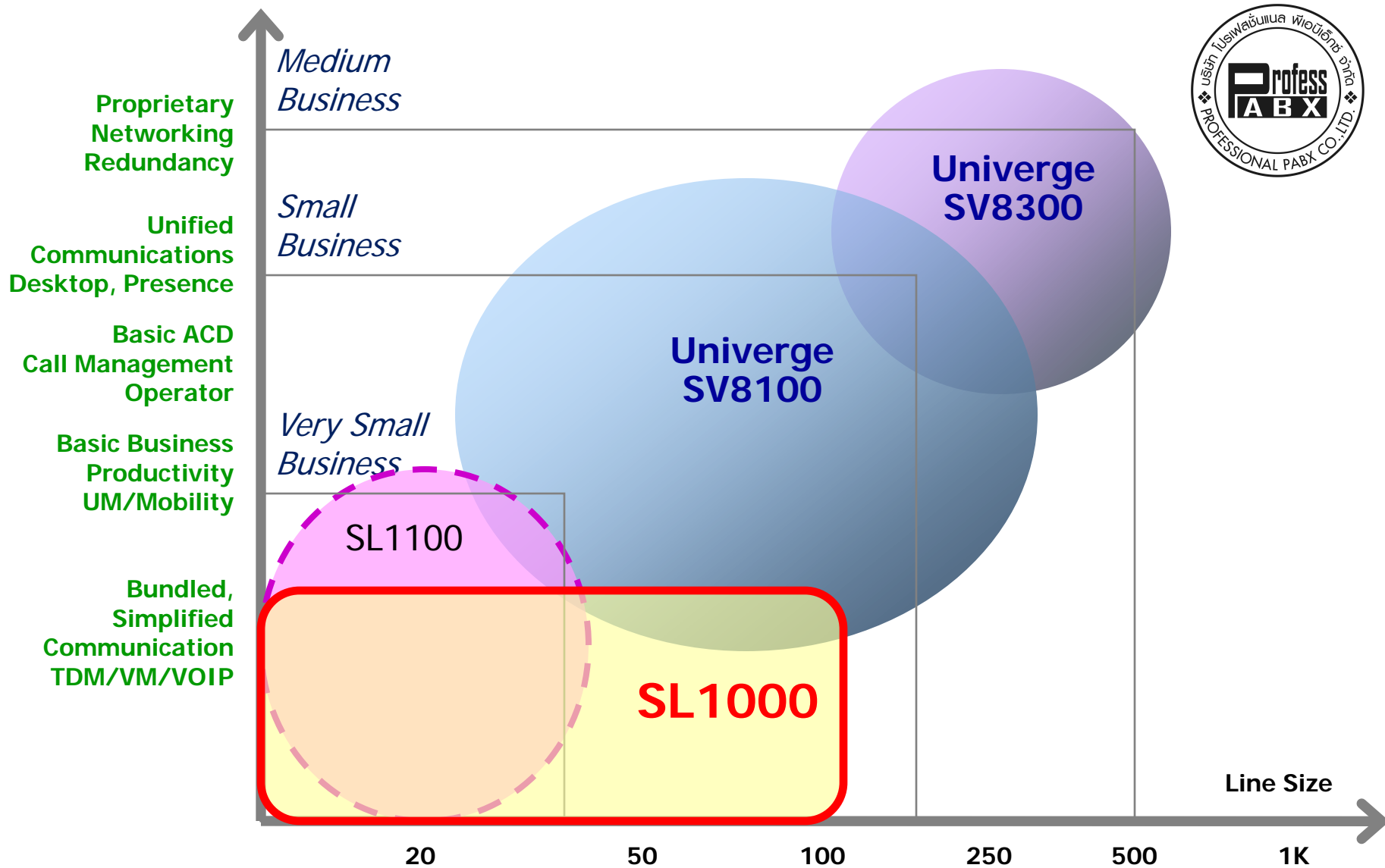
NEC Corporation (Thailand)



# Product Positioning & Concept

**“SL Series” is the successor of current Topaz and DSX.  
(SL1000 : Hybrid Model, SL1100 : Digital Model)**

Current Product	SL Series	Target Market	Product Positioning
 <p>Topaz</p>	 <p>SL1000</p>	<p><b>Asia</b> <b>LASC</b> Middle East Africa Russia Europe (Selected)</p>	<p><b>Next Topaz</b></p> <ul style="list-style-type: none"> <li>- Cost Effective</li> <li>- Full Hybrid Design</li> <li>- IP Enable</li> </ul> 
 <p>DSX</p>	 <p>SL1100</p>	<p>North America Europe Australia (TBD)</p>	<p><b>Next Topaz / DSX (US)</b></p> <ul style="list-style-type: none"> <li>- Cost Effective</li> <li>- Small TDM/IP Converge System</li> <li>- For Wholesaler (US)</li> </ul>





## Global Design

- ✓ Common KSU/Terminal Design for all markets
- ✓ Common Architecture (*utilize the SV8100*)

## Flexibility

- ✓ Wide Capacity Coverage (*from 408 to around 230 ports*)

## Potentiality

- ✓ Rich System Features (*almost same as SV8100*)
- ✓ TDM / IP Converge

## Simplicity

- ✓ Smart Configuration / Plug & Play
- ✓ New Designed, User Friendly PC/Web PRO
- ✓ Same Programming Method with Topaz/SV8100

## Market Trend (Ecology & Security)

- ✓ Low Power Consumption
- ✓ Unique “Ecology” features (*Power Saving mode, etc*)
- ✓ Unique “Security” features (*Room Monitoring from Outside, etc*)

## Cost Effective

- ✓ Competitive price



375(W) x 290(H) x 115(D) mm

- Straight lines create a static and peaceful atmosphere.
- The provision of a glossy part in the cover creates a sharp image.
- Common design for both main and expansion KSU brings a sense of oneness.
- The combination of black color body and blue illumination impresses premium accents.

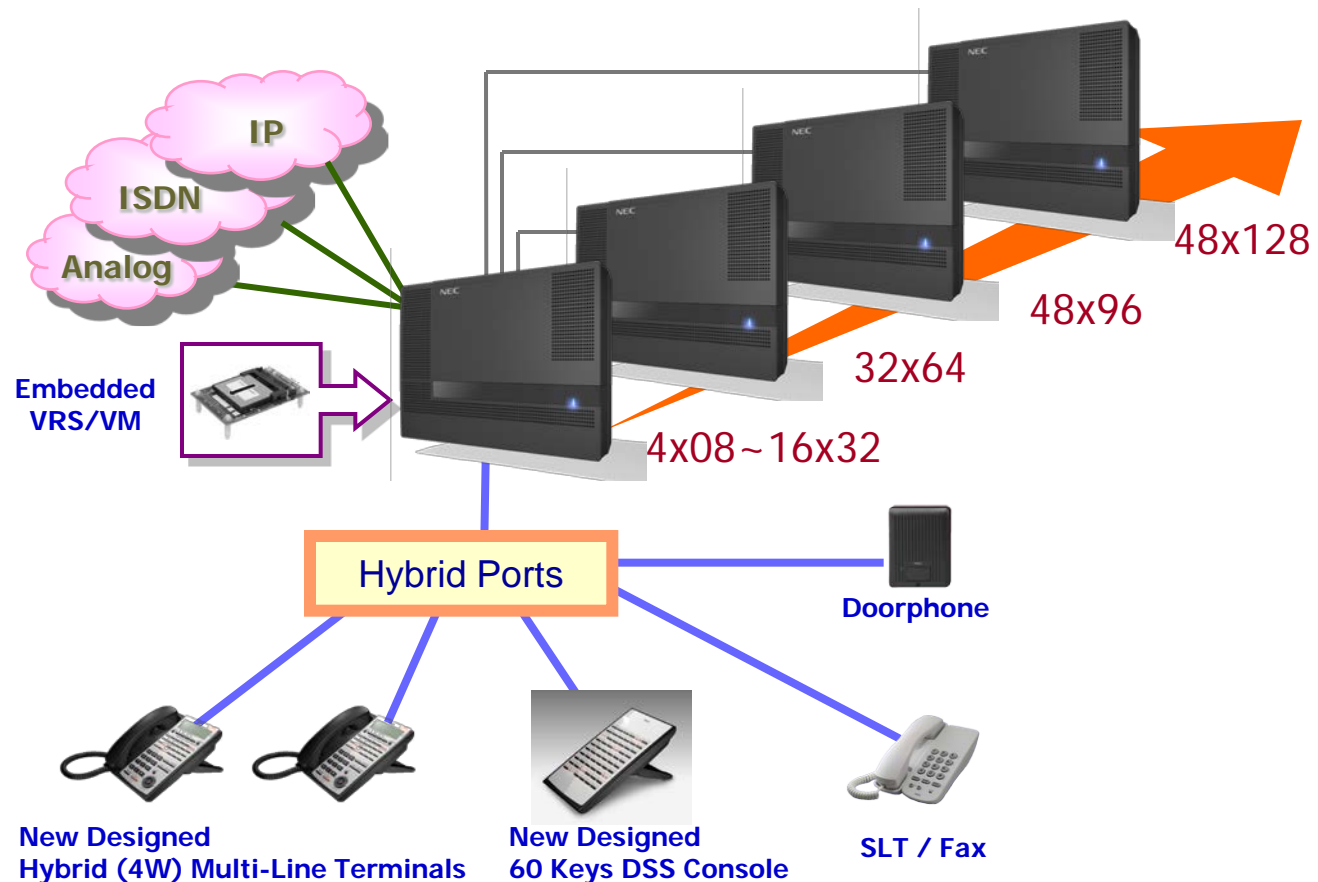


- Flatness and thinness are emphasized through a shape extruded based on the track shape (ellipse) of the side panels.
- The face is silver, creating a good contrast with the black keys for a clean look.
- The square buttons and the arrangement of the buttons so as to give the impression of horizontal lines results in a subdued design and a sharp image.





- Wide system capacity coverage by single platform (Max 230 ports)
- Enable to accommodate various Trunks (Analog, ISDN BRI/PRI, IP)
- Hybrid Extension Ports for flexible configuration
- Rich system features (almost same as SV8100)







## Hardware Line-Up & Description


## IP4xx-1632M-A KSU

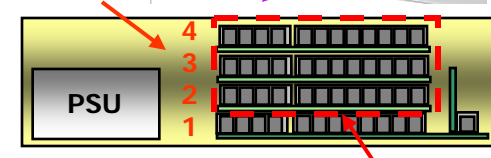
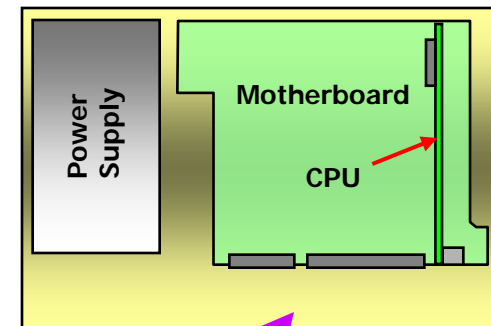
xx : WW (General Export)  
 xx : EU (EMEA)  
 x : U (China)

- Wall-Mountable Design
- Sub-Cover for easy cabling
- 3 x Expansion/Option Card Slots (for 408E/008E/PRIU)

**All terminals on Slot No.4 must be Analog Terminals.**

Initially provides :

Power Supply <100-240V> (MPS6930)	1 x External Backup Battery Connector
CPU (IP4xx-CPU-A1)  xx : WW (General Export) xx : EU (EMEA)	1 x LAN Port (10/100M) 1 x MEMDB (Expansion Memory) slot 1 x VM21 (for VRS/VM) slot 1 x VOIPDB (VoIP Gateway) slot Main Software 1ch x Built-In Auto-Answering (Soft-Channel)
Motherboard (IP4WW-408M-A1)  	4 x Analog Trunk Ports (4 x RJ11) <b>**Enable to use unused Trunk Port as Audio Input / Output purpose (Paging/ExMOH/BGM)</b> 8 x Hybrid Extension Ports (8 x RJ11) <b>**Enable to connect the DSS Console to Port No. 8.</b> <b>**Enable to connect up to 2 Doorphones to Port No. 6 and 7.</b> 1 x Power Failure Circuit <b>**Trunk Port No. 1 &lt;-&gt; Hybrid Extension Port No. 8</b> 2 x Door Unlock Relay 1 x EXIFB (Bus Card) slot SLT Ringer Circuit MW Lamp Driver for Analog Terminals



3 x Exp./Opt. Card Slots

DSP on CPU	Telephony Resources (for DTMF/DT/BT Detection, FSK CID Receiver/Sender)	20
	Tone Sender Resources (for System Tones sender, DTMF Sender)	128
	Conference Resources	32


## IP4xx-1632ME-A EXP

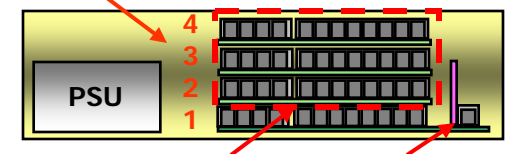
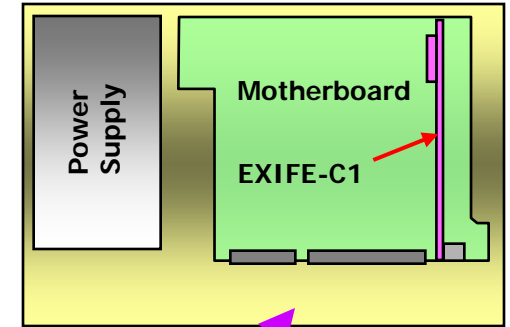
xx : WW (EMEA / General Export)  
x : U (China)

- Same design with Main KSU
- Wall-Mountable Design
- Sub-Cover for easy cabling
- 3 x Expansion/Option Card Slots (for 408E/008E/000E/PRIU)

**All terminals on Slot No.4 must be Analog Terminals.**

Initially provides :

Power Supply <100-240V> (MPS6930)	1 x External Backup Battery Connector
Motherboard (IP4WW-408M-A1) 	<p>4 x Analog Trunk Ports (4 x RJ11) **Enable to use unused Trunk Port as Audio Input / Output purpose (Paging/ExMOH/BGM)</p> <p>8 x Hybrid Extension Ports (8 x RJ11) **Enable to connect the DSS Console to Port No. 8. **Enable to connect up to 2 Doorphones to Port No. 6 and 7.</p> <p>1 x Power Failure Circuit **Trunk Port No. 1 &lt;-&gt; Hybrid Extension Port No. 8</p> <p>2 x Door Unlock Relay SLT Ringer Circuit MW Lamp Driver for Analog Terminals</p>
Bus Card (IP4WW-EXIFE-C1)	1 x Bus Connector to Main KSU



3 x Exp./Opt. Card Slots

Connector to Main KSU

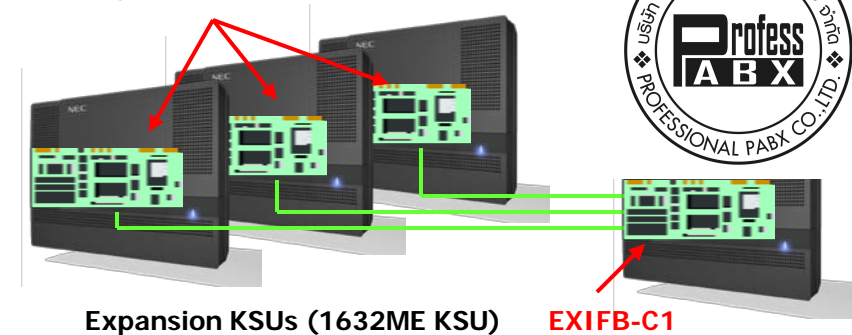
DSP on EXIFE	Telephony Resources (for DTMF/DT/BT Detection, FSK CID Receiver/Sender)	32
--------------	---	----

## IP4WW-EXIFB-C1

- Bus Card for System Capacity expansion
- Install to the Main KSU
- 3 connectors for Expansion KSUs
- DIM Monitor circuit for maintenance

- **Up to 4 KSUs (1 Main KSU & 3 Exp KSUs)**
- **Each KSU requires individual AC Power**
- **No.4 KSU (No.3 Exp KSU) does NOT support any Trunks (Analog, ISDN BRI, PRI).**

**EXIFE-C1**  
(initially equipped in the Exp KSU)

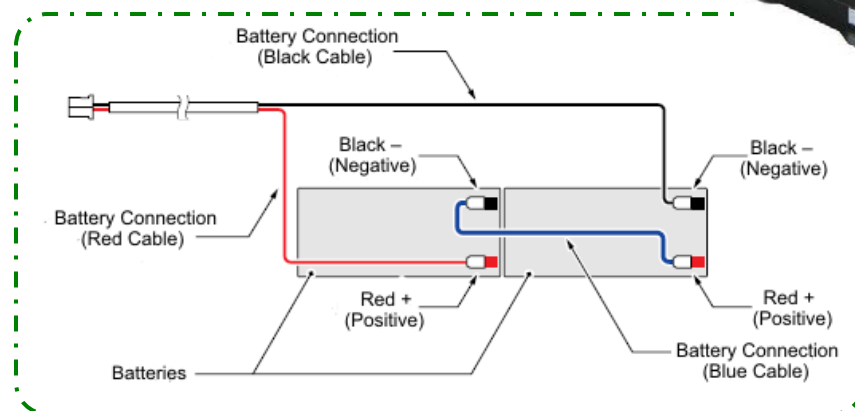
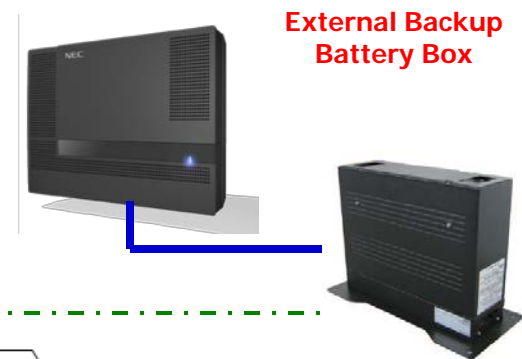


## IP4WW-Battery Box

- External Backup Battery Box (Color : Black)
- Connect to the Power Supply at each KSU (One box per KSU)
- Attach necessary cables
- Wall / Floor mountable design
- Backup duration is approximately 1 hour

**Battery itself is local supply**  
(12V, 7Am/H x 2 pcs per BOX)

**Recommended Battery : GS Yuasa NP7-12**  
**Size (H x W x D) per Battery : 100 x 151 x 65 (mm)**



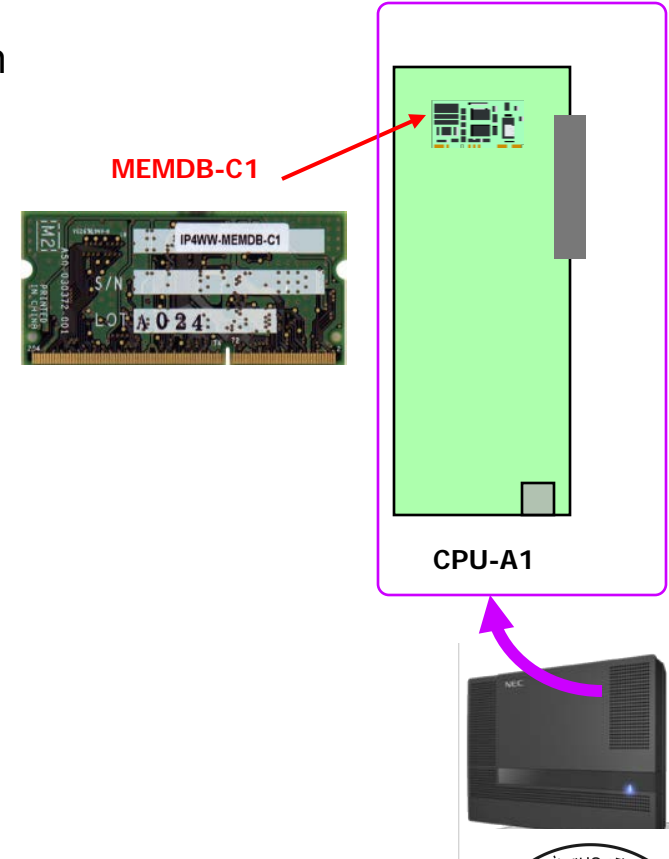
## IP4xx-MEMDB-C1

xx : WW (General Export)    xx : EU (EMEA)

- Expansion Memory Card for capacity & feature expansion
- Install onto the CPU (MEMDB Slot) at Main KSU

### MEMDB Feature List

Feature	Remarks
Expansion KSU	Technical Requirement (Additional hardware memory is required.)
VoIP	Technical Requirement (Additional hardware memory is required.)
E-Mail Notification (In-Mail)	Technical Requirement (Additional hardware memory is required.)
Remote Upgrade (Main Software)	Technical Requirement (Additional hardware memory is required.)
Total VRS/In-Mail Channels Control	Technical Requirement (w/o MEMDB... Max 8ch, w/ MEMDB...Max 16ch)
VRS Channel Control	w/o MEMDB...VRS : 4ch, w/ MEMDB...VRS : 16ch



## IP4WW-VOIPDB-C1

- VoIP Gateway Card
- Install onto the CPU (VOIPDB Slot) at Main KSU
- 16ch DSP

Refer to "VoIP Configuration" part for more details.

<Note> Available in May/2011

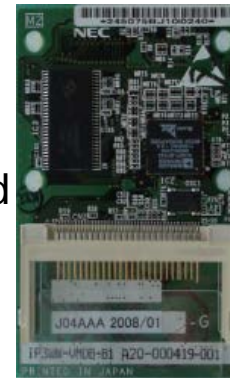
## PZ-VM21

- Embedded VRS / Voice Mail Card
- Install onto the CPU (VM21 Slot) at Main KSU
- V34 (33.6kbps) analog modem is initially mounted (for remote maintenance)
- VRS / VM CF Card is separate preparation

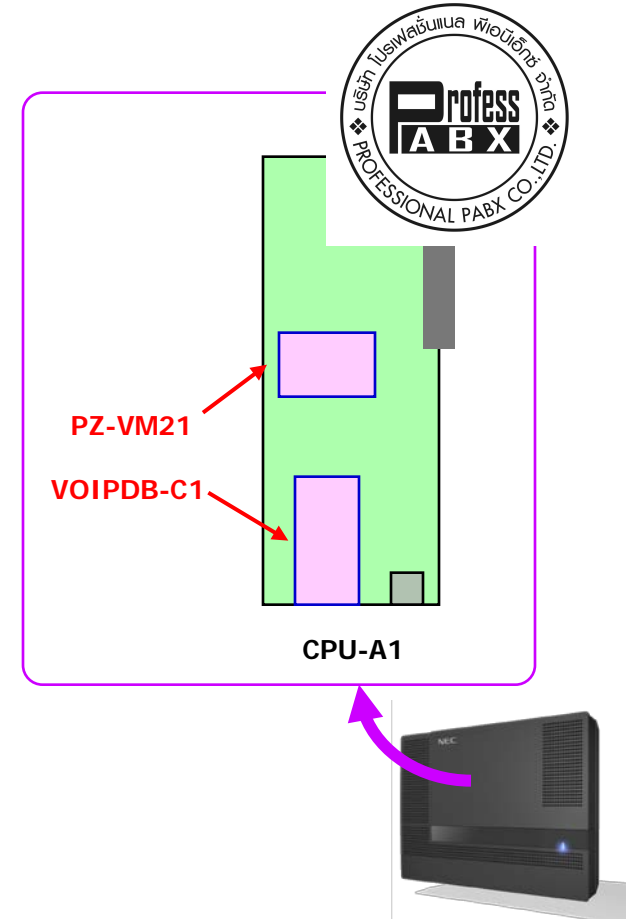
Common  
Item with  
SV8100



VOIPDB-C1



PZ-VM21

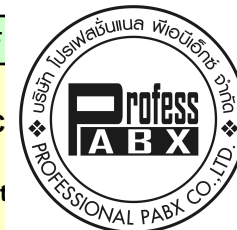


## VRS / In-Mail CF



- VRS / Voice Mail CF Card
- Install onto the PZ-VM21 (CF Slot) at Main KSU
- VRS and In-Mail channels are separate control
  - *VRS channel* : controlled by MEMDB
  - *In-Mail Channel* : controlled by CF and license
- Up to 24 prompt languages (see right) are initially contained into the CF Cards.

Built-In Language (for all CF)	
US English	Japanese
UK English	Mandarin C
Australian English	Korean
French Canadian	Iberian Port
Dutch	Greek
Mexican Spanish	Danish
Latin American Spanish	Swedish
Italian	Thai
German	Mandarin Chinese (Taiwan)
Madrid Spanish	Flemish
Norwegian	Turkish
Parisian French	Arabic (TBD)
Brazilian Portuguese	



Item Name	Function	CF Capacity	Channel				Mail Box
			VRS		In-Mail		
			Default	Max	Default	Max	
IP4WW-CFVRS-C1	VRS Only	512MB	4	16 (w/ MEMDB)	N/A	N/A	N/A
IP4WW-CFVMS-C1	VRS & 2ch In-Mail (Approx:15H)	512MB	4	16 (w/ MEMDB)	2	16 (w/ License)	128 (EXT) 16 (Group) 16 (Routing)
IP4WW-CFVML-C1	VRS & 4ch In-Mail (Approx:40H)	1GB	4	16 (w/ MEMDB)	4	16 (w/ License)	128 (EXT) 16 (Group) 16 (Routing)

*Note : CF Cards are NOT compatible to SV8100.*



## IP4WW-408E-A1

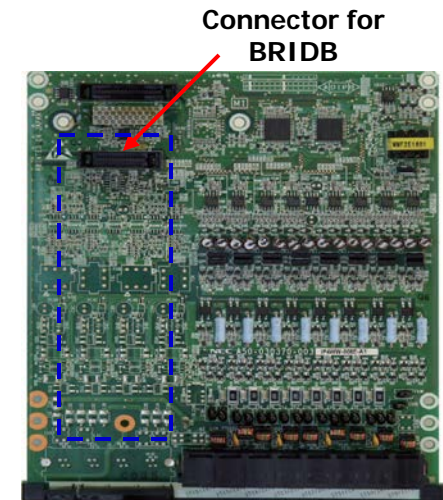
- 4 Analog Trunks & 8 Hybrid Extensions Card
- Enable to connect the DSS Console to Hybrid Ext. Port No.8
- Install to the Expansion Card Slot at Main/Expansion KSU
- Max 3 cards per KSU
- Provide 4 pcs of RJ11 connectors for Trunks, 8 pcs of RJ11 connectors for Extensions
- Provide 1 power failure circuit (Trunk Port No. 1 <-> Hybrid Extension Port No. 8)



4 Analog Trunks      8 Hybrid Extensions

## IP4WW-008E-A1

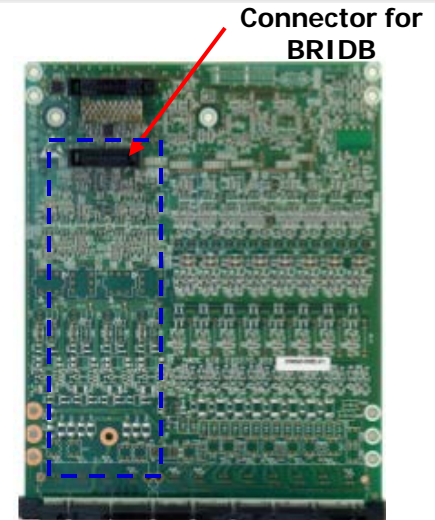
- 8 Hybrid Extensions Card
- Enable to connect the DSS Console to Hybrid Ext. Port No.8
- Install to the Expansion Card Slot at Main/Expansion KSU
- Max 3 cards per KSU
- Provide 8 pcs of RJ11 connectors for Extensions
- Provide 1 connector for ISDN BRI Daughter Board



8 Hybrid Extensions

## IP4WW-000E-A1

- 0 Trunk/Extension Card for ISDN BRI
- Install to the Expansion Card Slot at Main/Expansion KSU
- Max 3 cards per KSU
- Provide 1 connector for ISDN BRI Daughter Board



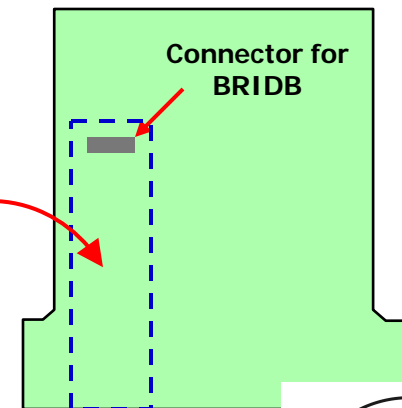
## IP4WW-2BRIDB-C1

- 2 Euro-ISDN BRI Daughter Board
- Install onto the 008E or 000E card
- Max 3 cards per KSU
- Provide 2 pcs of RJ45 connectors
- Support T/S point connection (Hard-switch)

**There is no power feeding for S-point from system.**



2BRIDB



008E / 000E C



## IP4WW-PRIU-C1

- 1 ISDN PRI/E1(LASC)
- Install to the Expansion Card Slot at Main/Expansion KSU
- 1 card per KSU, Max 3 cards per system
- Provide 1 pc of RJ45 connector
- Support T/S point connection (Hard-switch)





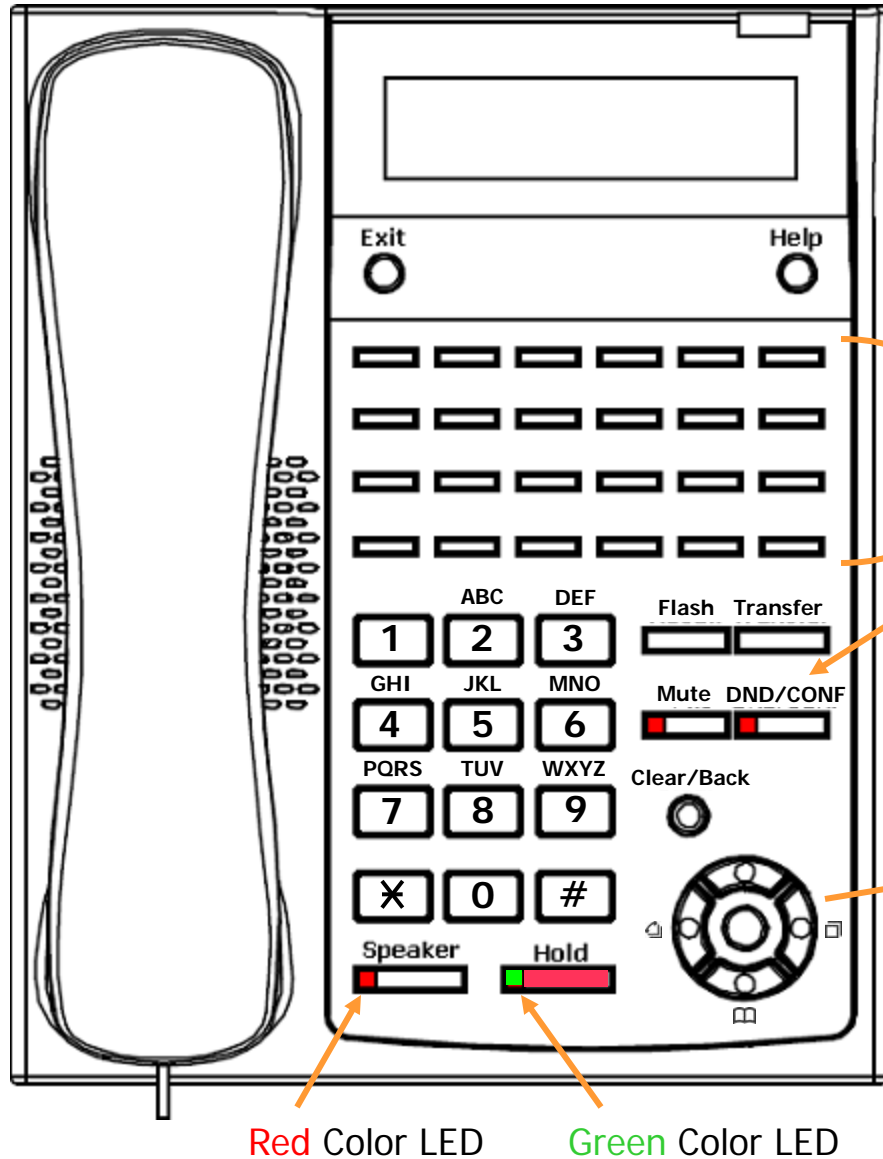
Changeable Sheet

Menu Cursor Key

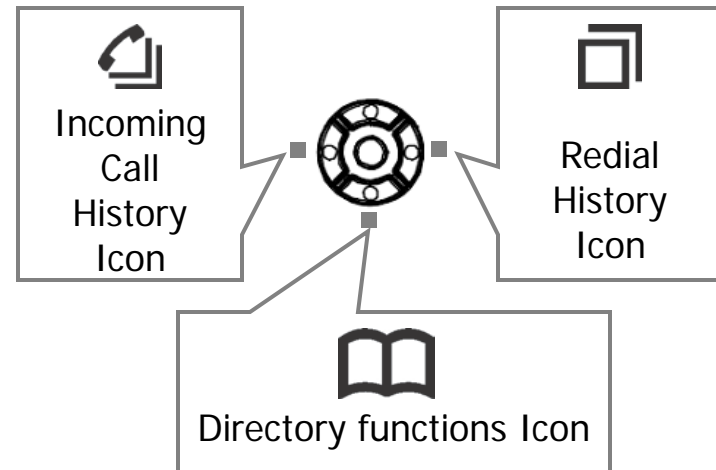
Feature Keys

Programmable Key



Angle Adjustable Leg  
(2 Steps)





All Key Indications (except Dial Numbers on Ten Key Pad) are printed on the DESI Sheet.





	<b>IP4WW-12TXH-A-TEL</b> 	<b>IP4WW-24TXH-A-TEL</b> 
Terminal Type	Hybrid (4W) Multi-Line Terminal	Hybrid (4W) Multi-Line Terminal
Connected to	Hybrid Extension Port	Hybrid Extension Port
Color Line-Up	Black/White	Black/White
LCD	16 digits x 2 lines w/o Backlit	16 digits x 2 lines w/o Backlit
Programmable Keys	12 (BLF : Red/Green)	24 (BLF : Red/Green)
Soft Keys	No	No
Menu Cursor Key	Yes	Yes
Incoming LED	1 color (Red)	1 color (Red)
Handsfree	Half-duplex	Half-duplex
Backlit Dial Pad	No	No
Headset Port	No (use Handset Port)	No (use Handset Port)
Angle Adjustment	2-steps (Base)	2-steps (Base)
Wall Mounting Kit	Built-In	Built-In

	<b>IP4WW-60D DSS-A console</b> 
Terminal Type	Hybrid (4W) DSS Console
Connected to	Ext. Port No.8 at each card
Color Line-Up	Black/White
Programmable Keys	60 (BLF : Red/Green)
Angle Adjustment	2-steps (Base)
Wall Mounting Kit	Built-In

	<b>DP-D-1A / DP-D-1D / DX4NA Doorphone / HS.D503DOR-A</b> 
Terminal Type	Doorphone
Connected to	Hybrid Port No.6 and 7 at 408M of each KSU

<Note> There is no plan to develop the DLS Console.

IP4WW-24TIXH-C-TEL



Terminal Type	Multi-Line IP Terminal	Handsfree	Full-duplex
Connected to	Ethernet Port on the Network	Backlit Dial Pad	Yes (Intensity : 8 steps)
Interface	2 x RJ45 Ethernet Ports (10Base-T/100Base-TX) for LAN and PC	Headset Port	Yes
Color Line-Up	Black/White	Angle Adjustment	2-steps (Base)
LCD	24 digits x 3 lines w/ Backlit (Backlit : Support Fade Control)	Wall Mounting Kit	Option
Programmable Keys	24 (BLF : Red/Green)	Power Feeding	AC Adapter (In : AC100V-240V, Out : DC27V,1A) or PoE (IEEE802.3af)
Soft Keys	Yes	Support CODEC	G.711 / G.729a / G.722
Menu Cursor Key	Yes	Open XML Interface	Not Support
Incoming LED	3 colors (Red/Green/Orange)		

<Note> Available in May/2011



# Item List & Maximum QTY

# SL1000

Category	Hardware Name	Description	1 KSU	2 KSU	3 KSU	4 KSU
KSU	IP4xx-1632M-A KSU	Main KSU (inc. P/S, CPU, 408M M/B)	1	1	1	1
	IP4xx-1632ME-A EXP	Expansion KSU (inc. P/S, Bus Card, 408M M/B)	---	1	2	3
Option Items for KSU	IP4WW-EXIFB-C1	Bus Card for Main KSU	---	1	1	1
	IP4WW-Battery Box	External Backup Battery Box	1	2	3	4
Option Items on CPU	IP4xx-MEMDB-C1	Expansion Memory Card for capacity & feature expansion	1	1	1	1
	IP4WW-VOPIDB-C1	VoIP Gateway Card <b>(Available in May/2011)</b>	1	1	1	1
	PZ-VM21	Embedded VRS/Voice Mail Card <b>(Common for SV8100)</b>	1	1	1	1
	IP4WW-CFVRS-C1	VRS CF Card	┌	┌	┌	┌
	IP4WW-CFVMS-C1	VRS/In-Mail (2ch, 15H) CF Card	└ 1	└ 1	└ 1	└ 1
	IP4WW-CFVML-C1	VRS/In-Mail (4ch, 40H) CF Card	└ (Total)	└ (Total)	└ (Total)	└ (Total)
Expansion Cards	IP4WW-408E-A1	4 Analog Trunks + 8 Hybrid Extensions Card	3	6	9	9
	IP4WW-008E-A1	8 Hybrid Extensions Card	3	6	9	12
	IP4WW-000E-A1	0 Trunk/Extension Card for ISDN BRI	3 3	6 6	9 9	12 12
	IP4WW-2BRIDB-C1	2 ISDN BRI Daughter Board	3 (Total)	6 (Total)	9 (Total)	12 (Total)
	IP4WW-1PRU-C1	1 ISDN PRI (E1 for Latin America) Card	3	6	9	9
Terminals	IP4WW-12TXH-A-TEL (BK/WH)	12 Keys, Hybrid (4W) Multi-Line Terminal (Black / White)	1	2	3	3
	IP4WW-24TXH-A-TEL (BK/WH)	24 Keys, Hybrid (4W) Multi-Line Terminal (Black / White)	24	48	72	96
Terminal Options	IP4WW-60D DSS-A console (BK/WH)	60 Keys, Hybrid (4W) DSS Console (Black / White)	3	6	9	12
	DP-D-1A / DP-D-1D / DX4NA Doorphone / HS.D503DOR-A	Doorphone Box	2	4	6	8
IP Terminal	IP4WW-24TIXH-C-TEL (BK/WH)	24 Keys, IP Multi-Line Terminal (Black / White) <b>(Available in May/2011)</b>	16	16	16	16

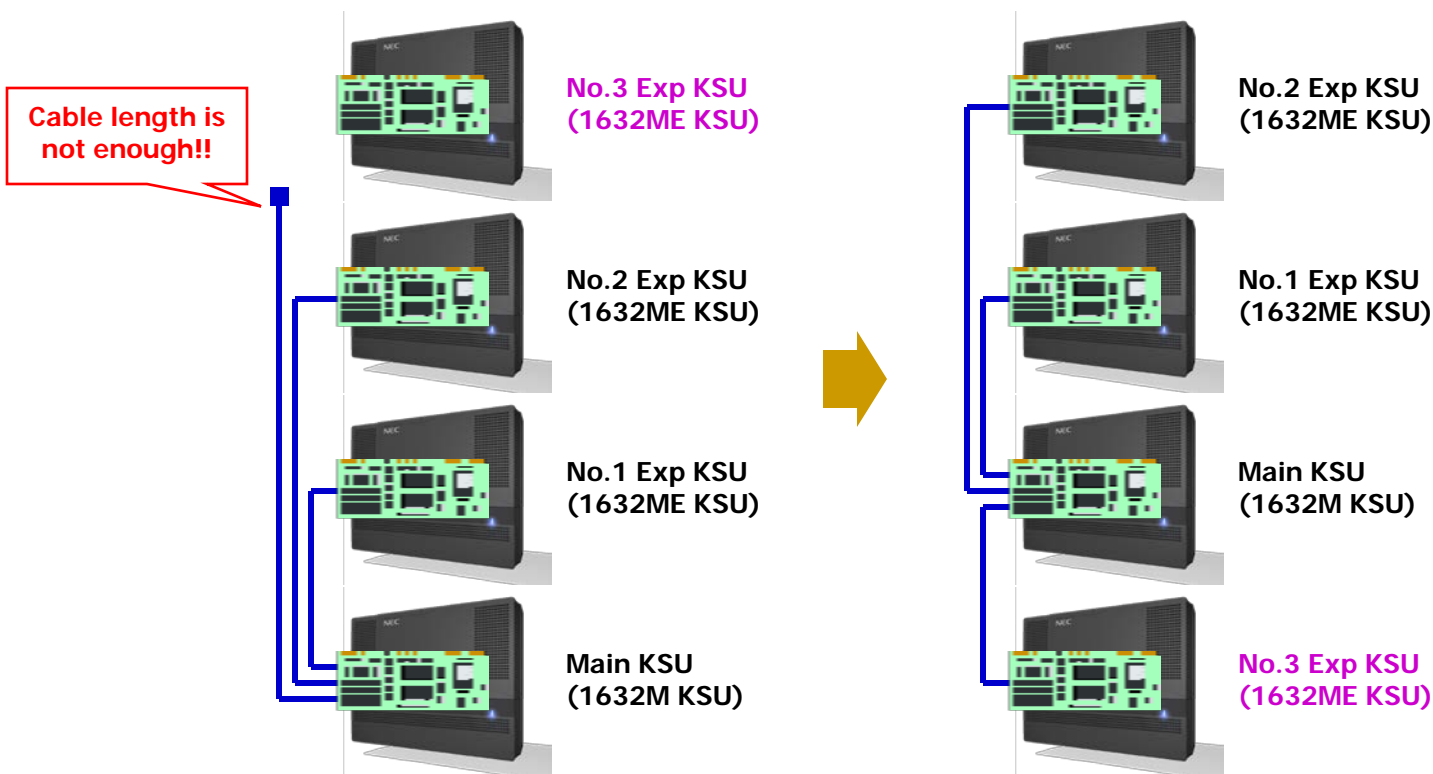
Number of KSU	1 KSU	2 KSU	3 KSU	4 KSU	Remarks	
<b>Total Ports</b>	<b>66</b>	<b>132</b>	<b>198</b>	<b>230</b>		
<b>Trunk Port</b>	<b>Max</b>	<b>42</b>	<b>84</b>	<b>126</b>	<b>126</b>	
	<b>Analog</b>	<b>16</b>	<b>32</b>	<b>48</b>	<b>48</b>	
	<b>ISDN BRI</b>	<b>12</b>	<b>24</b>	<b>36</b>	<b>36</b>	
	<b>ISDN PRI/E1 (2M)</b>	<b>30</b>	<b>60</b>	<b>90</b>	<b>90</b>	<b>1 card per KSU, Max 3 cards per system</b>
	<b>IP Trunk (SIP/H.323)</b>	<b>16</b>	<b>16</b>	<b>16</b>	<b>16</b>	<b>IPLA &amp; MEMDB is required Need license to be Max</b>
	<b>External Paging</b>	<b>1</b>	<b>2</b>	<b>3</b>	<b>3</b>	<b>Use Analog Trunk ports</b>
	<b>External MOH</b>	<b>1</b>	<b>1</b>	<b>1</b>	<b>1</b>	<b>Use Analog Trunk port</b>
	<b>BGM</b>	<b>1</b>	<b>1</b>	<b>1</b>	<b>1</b>	<b>Use Analog Trunk port</b>
<b>Extension Ports</b>	<b>Max</b>	<b>32</b>	<b>64</b>	<b>96</b>	<b>128</b>	
	<b>Multi-Line Terminal</b>	<b>24</b>	<b>48</b>	<b>72</b>	<b>96</b>	
	<b>Analog Terminal</b>	<b>32</b>	<b>64</b>	<b>96</b>	<b>128</b>	
	<b>IP Terminal (SIP-MLT/Std.)</b>	<b>16</b>	<b>16</b>	<b>16</b>	<b>16</b>	<b>IPLA &amp; MEMDB is required Need license to be Max (SIP-Std)</b>
	<b>DSS Console</b>	<b>3</b>	<b>6</b>	<b>9</b>	<b>12</b>	<b>Connect to Hybrid Extension ports</b>
	<b>Door phone</b>	<b>2</b>	<b>4</b>	<b>6</b>	<b>8</b>	<b>Connect to Hybrid Extension ports</b>
<b>Virtual Extension Port</b>	<b>50</b>	<b>50</b>	<b>50</b>	<b>50</b>		
<b>Power Failure Circuit</b>	<b>4</b>	<b>8</b>	<b>12</b>	<b>12</b>	<b>1 circuit per 408M/408E</b>	
<b>Door Relay</b>	<b>2</b>	<b>4</b>	<b>6</b>	<b>8</b>	<b>Located on 408M of each KSU</b>	
<b>Ethernet Port</b>	<b>1</b>	<b>1</b>	<b>1</b>	<b>1</b>	<b>Located on CPU</b>	
<b>Built-In Answering Machine Channel</b>	<b>1</b>	<b>1</b>	<b>1</b>	<b>1</b>	<b>Mounted on CPU</b>	
<b>VRS Channel</b>	<b>4</b>	<b>16</b>	<b>16</b>	<b>16</b>		
<b>In-Mail Channel</b>	<b>8</b>	<b>16</b>	<b>16</b>	<b>16</b>	<b>Need license to be Max</b>	
<b>Analog Modem</b>	<b>1</b>	<b>1</b>	<b>1</b>	<b>1</b>	<b>Mounted on PZ-VM21</b>	



No.4 KSU (No.3 Expansion KSU) has following limitations.

- Any trunk (Analog, ISDN BRI/PRI) does **NOT work**.
- Power Failure circuits are not available because of no trunks support.
- Multi-Line Terminals, SLTs and DSS Consoles work but Doorphone and Relay do not.
- Due to the cable length limitation, installation position of No.4 KSU must be careful.

**Expansion cable is special design and can NOT be extended by yourself to avoid any transmission error.**





## VoIP Configuration

- Install VOIPDB (DSP : 16) and MEMDB cards for VoIP solution.  
(MEMDB must be installed because additional memory is required for VoIP)
- **Up to 16 DSPs** are automatically activated just installing the above hardware.
- Maximum IP Trunk/Extension capacity is :
  - Max 16 IP Trunks + 16 IP Extensions
- **Up to 4 ports** license are **initially bundled** for SIP Trunks / Standard SIP Extensions.
- Enable to increase the number of available ports by adding the software license.
- **Multi-Line IP Terminal does NOT need any license.** (SIP-MLT license is initially included into the terminal), however it must be counted as IP Extensions. Total number of IP Extensions (both Multi-Line IP Terminal & Standard SIP Terminals) must **not exceed 16.**



## Capacity

16 ports  $\geq$

16 ports  $\geq$

SIP Trunk

Standard SIP Terminal

Multi-Line IP Terminal

## License

$\leq$  4 ports : No License

< 5 ports : License is required

No License required

Example Configuration	Required License
SIP Trunk : 4 Standard SIP Terminal : 0 Multi-Line IP Terminal : 16	None
SIP Trunk : 2 Standard SIP Terminal : 2 Multi-Line IP Terminal : 14	None
SIP Trunk : 16 Standard SIP Terminal : 0 Multi-Line IP Terminal : 16	Additional IP Port License is required. (12 ports)
SIP Trunk : 4 Standard SIP Terminal : 4 Multi-Line IP Terminal : 4	Additional IP Port License is required. (4 ports)



# License Scheme





- Use current SV8100 Facility (License Server and Scheme) without any modification.
- Prepare **unique licenses for SL Series** on the SV8100 License Server.
- For the easy installation & operation, majority of SL Series users must not need to add the license.

Feature	License Name	Description	Type of License	Activation Method	Bundled License	System Max	Note
VoIP	SL-IP-SIPTRK/SIPEXT-1 LIC	SIP Trunk / Standard SIP Terminal License	Port Base	Requires from 5 <sup>th</sup> port	4	16TRK+16EXT	MEMDB and VOIPDB is required
VoIP Encryption	SL-IP-ENCRYPTION LIC	Encryption License for Multi-Line IP Terminal	System Base	Requires if this feature needs to be activated	None	On	On/Off license
VoIP NAPT	SL-IP-NAPT LIC	NAPT License for Multi-Line IP Terminal	System Base	Requires if this feature needs to be activated	None	On	On/Off license
In-Mail	SL-VM-CHANNEL-2 LIC	Additional In-Mail Channel License (2ch)	Channel Base	Requires from 3 <sup>rd</sup> or 5 <sup>th</sup> Channel	2 (15H CF) 4 (40H CF)	16ch	
In-Mail Advance	SL-VM-ADVANCE LIC	In-Mail Advanced Features License - E-Mail Notification - Cascading message notification - Find-Me/Follow-Me - Password Option - Hotel/Motel	System Base	Requires if this feature needs to be activated	None	On	On/Off license  MEMDB is required for E-Mail Notification
Mobile Extension	SL-SYS-MOBILE-1 LIC	Additional Mobile Extension Port License	Port Base	Requires from 5 <sup>th</sup> port	4	32	
Hotel/Motel	SL-SYS-HOTEL LIC	Hotel/Motel Feature License	System Base	Requires if this feature needs to be activated	None	On	On/Off license

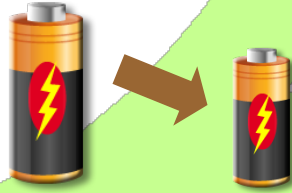


## Highlight Features



## *Low Power Consumption*

Less than 25% from previous model



## *Power Saving Mode*

Automatically off the power  
(Stand-by mode) during Night Mode





## *Room Monitoring from Outside (via DISA)*

Access from outside to monitor the room sound from terminal built-in microphone.



## *Security with 3<sup>r</sup>d Party Equipment*

- Room Monitoring with PIR(\*)
- Emergency Button

Work with 3<sup>rd</sup> Party PIR / Emergency Button to provide Security feature such as Auto-Emergency Call and Warning Message Sending. (\*) PIR : Passive Infrared Sensor



## *Warning Message*

Automatically and periodically send the VRS Message from built-In Speaker on Multi-Line Terminal during night mode.



## *Remote Inspection*

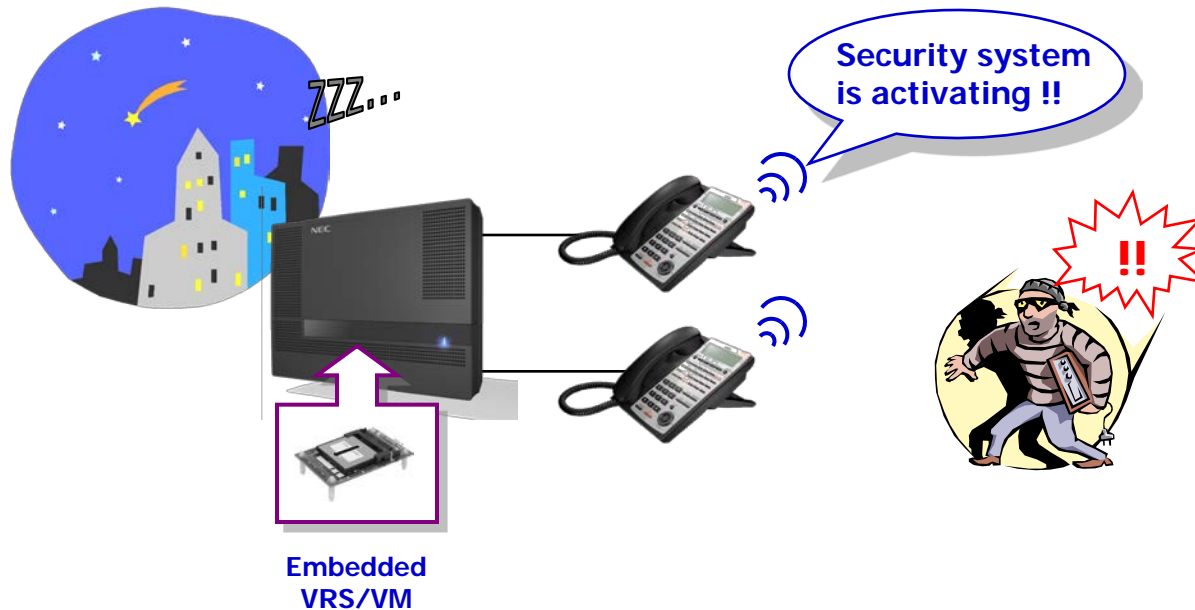
Automatically ring the terminal with pre-programmed schedule in order to check whether users answer or not. Auto-Emergency Call is placed if no answer.

**Be aware of offering those functions in the sense of Contact/Court cases**

- Enable to monitor the room sound from outside via DISA.
- Activate the built-in microphone of Multi-Line Terminal.
- This feature is under DISA password control for secure operation.



- Enable to send the VRS Message automatically and periodically from built-in Speaker on Multi-Line Terminal as "Warning Message" during Night Mode.
- It is expected to act as a deterrent even if there is no tight security facility.

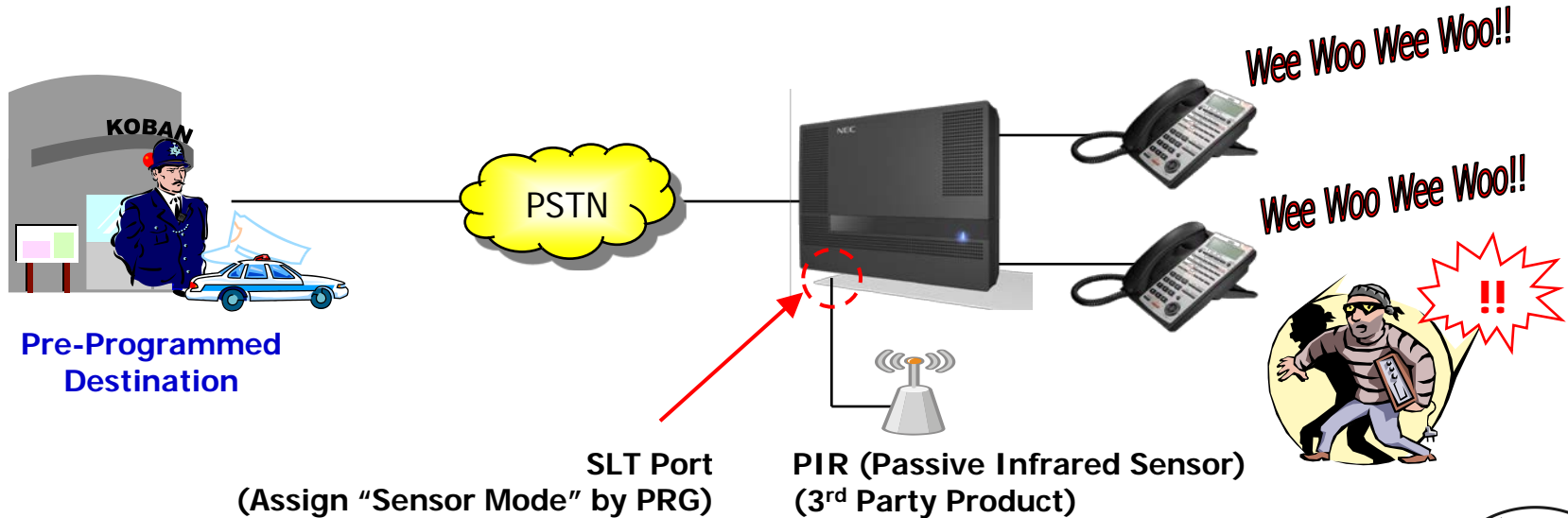


## Idea 1 : Room Monitoring with PIR(\*)

(\*) PIR : Passive Infrared Sensor

- Enable to accommodate the 3<sup>rd</sup> Party PIR equipment for Guard feature.

When the system detects the signal from connected PIR (3<sup>rd</sup> Party Product), pre-recorded Warning Message is paged to the built-in SPK on Multi-Line Terminals (and/or Paging Speaker), and the system automatically places an outgoing call to the pre-programmed destination as emergency call. (pre-recorded message shall be sent after answering)



Relay Contact Rating		
Mode 1	40mA	30Vdc
Mode 2	40mA	10Vdc

**Be aware of offering automatic outgoing call to the sense of Contact/Court call**

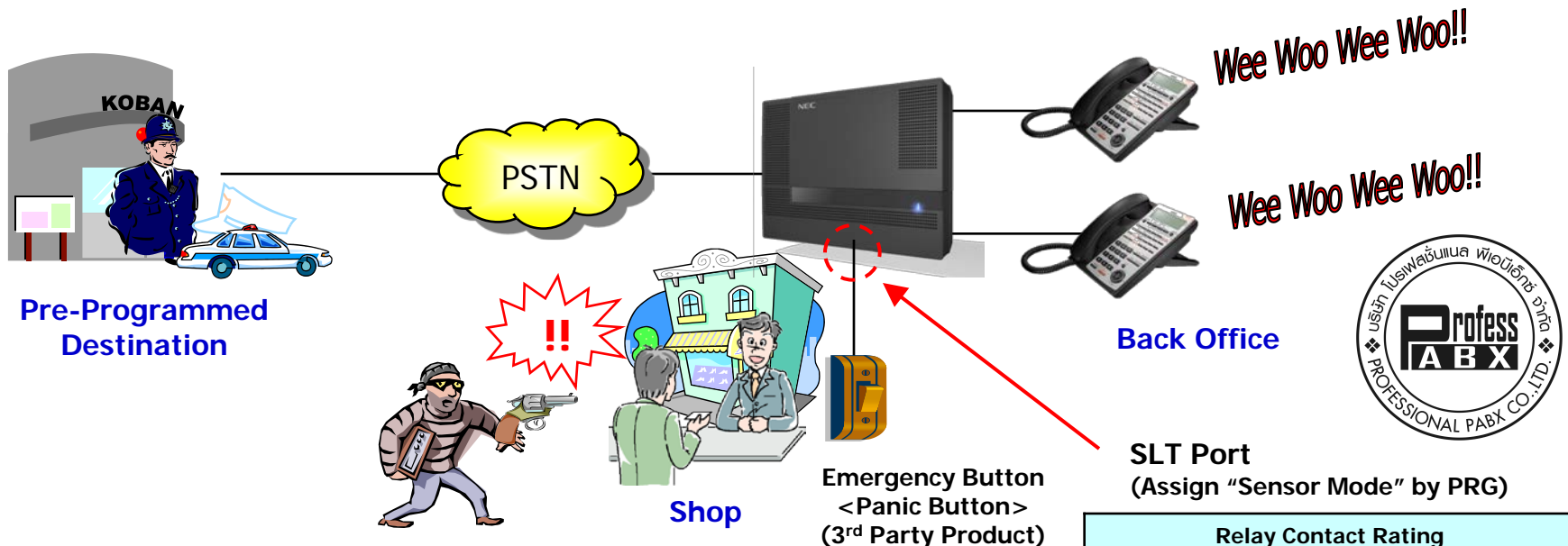




## Idea 2 : Emergency Button

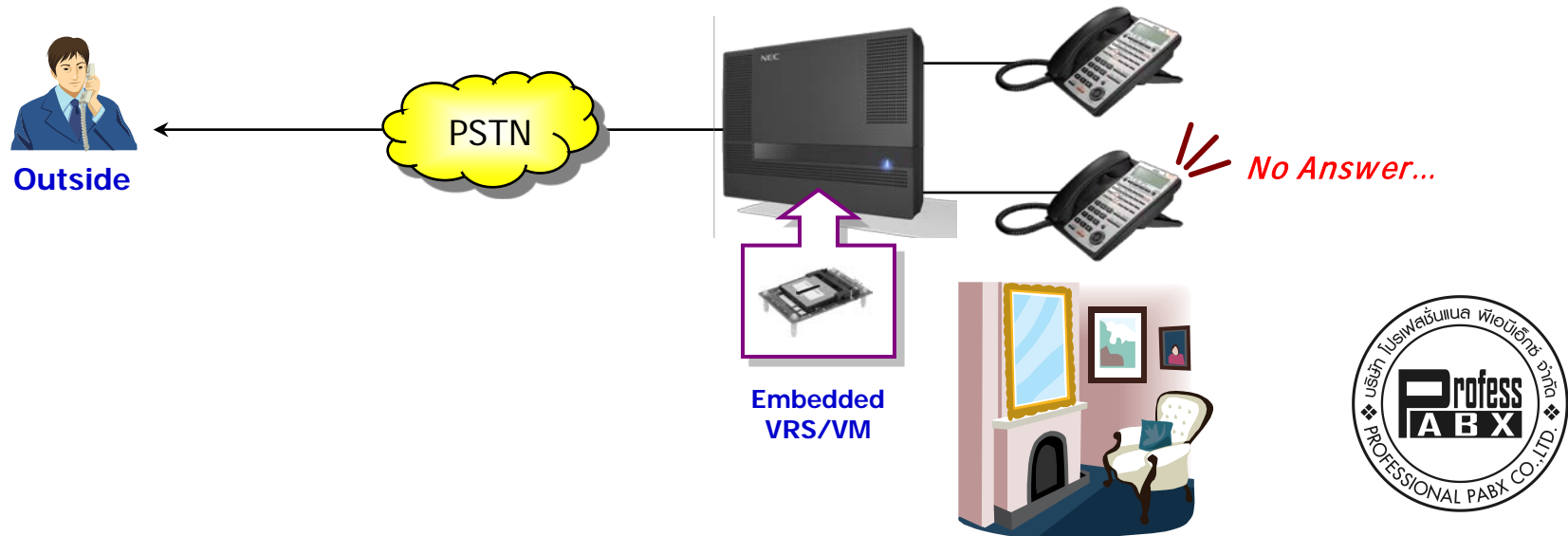
- Enable to accommodate the 3<sup>rd</sup> Party Emergency Button for Security feature.

In the event of emergency, the user presses an emergency button to request further help. When the system detects the signal from emergency button (3<sup>rd</sup> Party Product), pre-recorded Warning Message is paged to the built-in SPK on Multi-Line Terminals (and/or Paging Speaker), and the system automatically places an outgoing call to the pre-programmed destination as emergency call. (pre-recorded message shall be sent after answering)



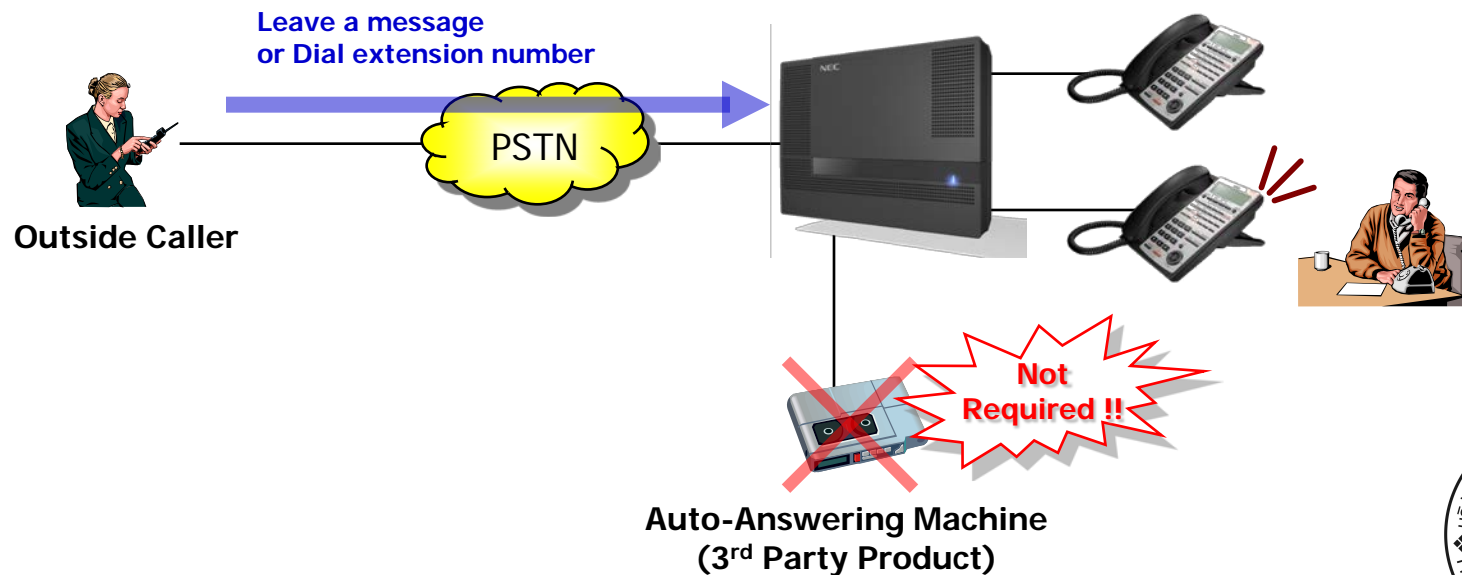
**Be aware of offering automatic outgoing call in the sense of Contact/Court cases**

- Automatically ring the terminal with pre-programmed schedule in order to check whether users answer or not.
- Place an auto-emergency call with pre-recorded VRS Message to the pre-programmed destination if no answer.



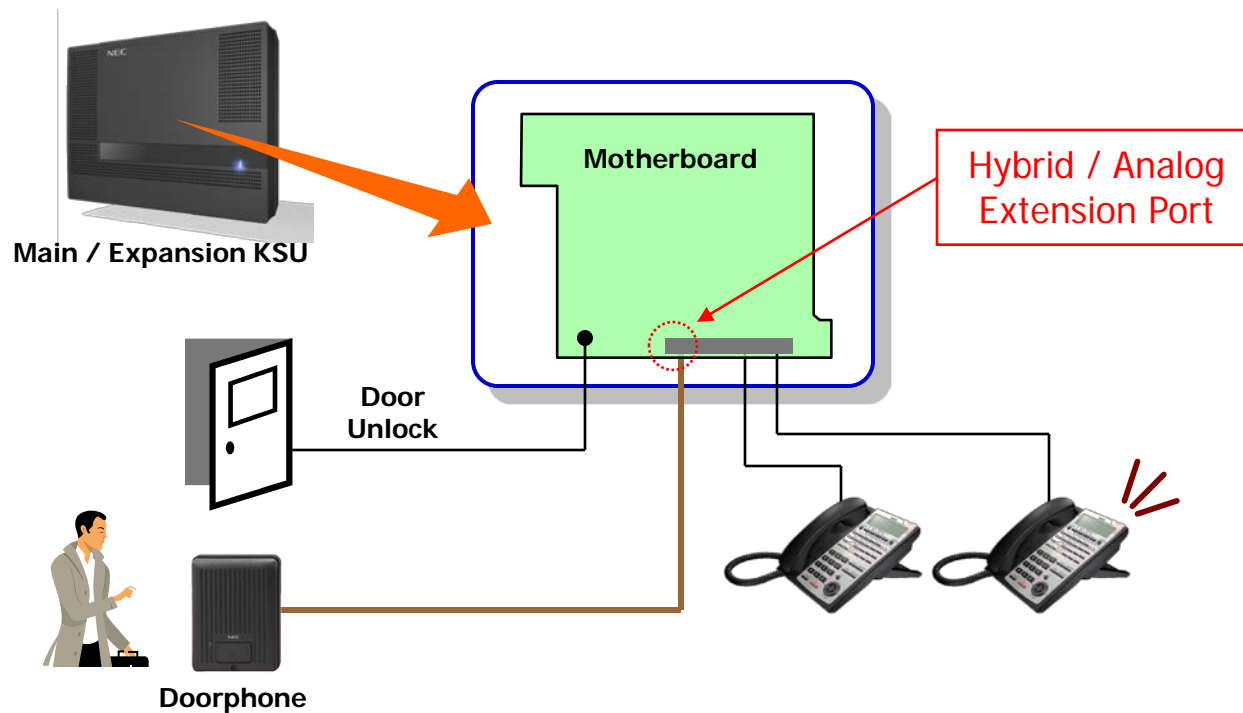
**Be aware of offering automatic outgoing call in the sense of Contact/Court cases**

- Initially equipped the Auto-Answering feature (1ch : Soft-channel) in the CPU without any additional hardware.
- Enable to record up to 4 greeting messages by users.
- Enable to leave a message from outside. (10 Messages)
- Total 8 minutes of recording time (in conjunction with greeting and left messages)
- Enable to use as simple VRS (Operator Assistance) as well.

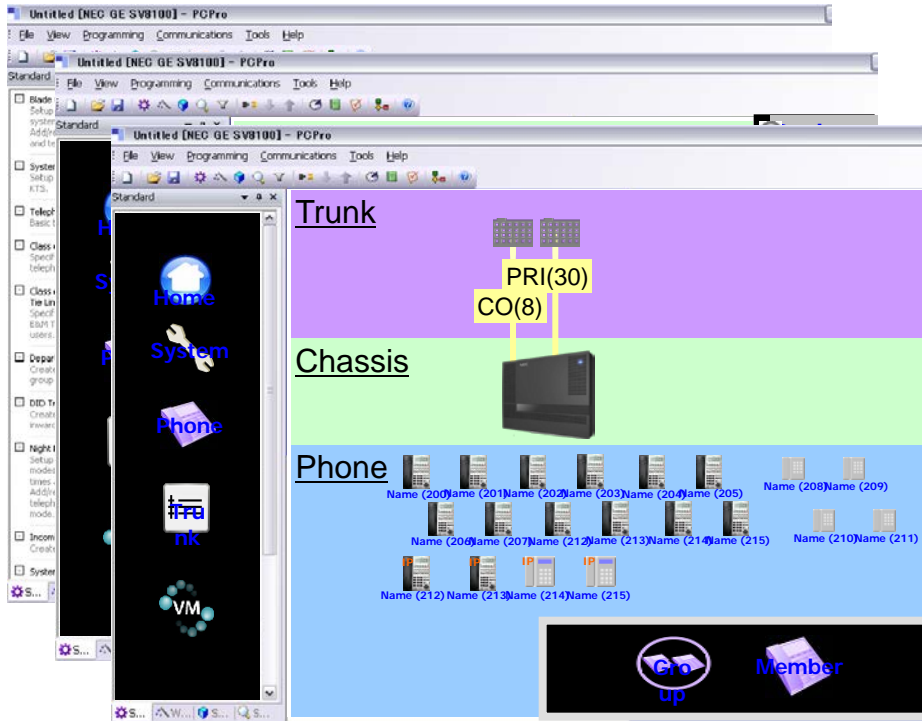


▲ <Note>  
This feature is applicable for all markets except US.  
(In-Mail Auto-Attendant feature is equipped for US version SL Series.)

- Enable to accommodate Doorphone Box to the specified Hybrid / Analog Extension Ports on the Motherboard of each KSU directly without any special hardware.
- Initially equipped Door Unlock Relay (2 circuit) on the Motherboard of each KSU.
- Provides easy installation and cost-effectiveness, and suitable for SOHO users.



- New designed PCPRO / Web PRO / User Pro for easy installation and setup.
- Enable Remote Upgrading of Main Software.



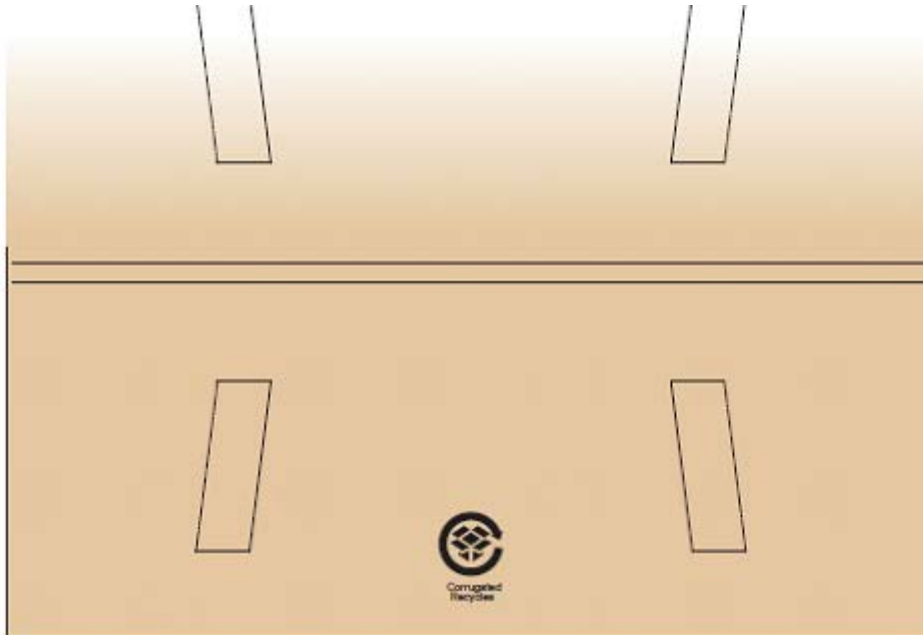
New Designed PCPRO / Web PRO / User PRO

Local / Remote Access

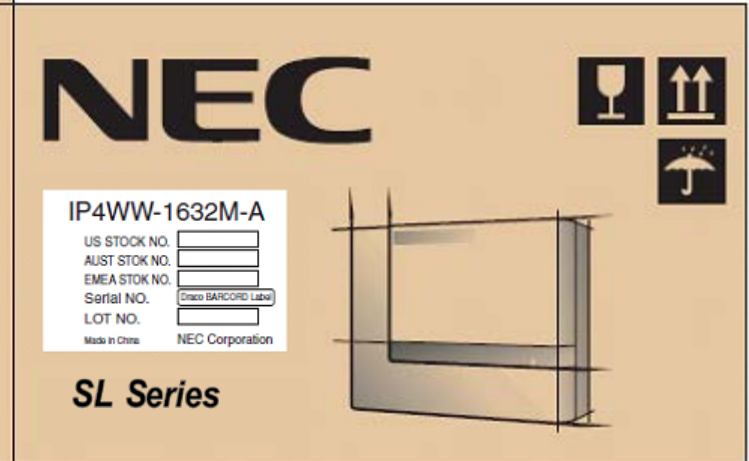
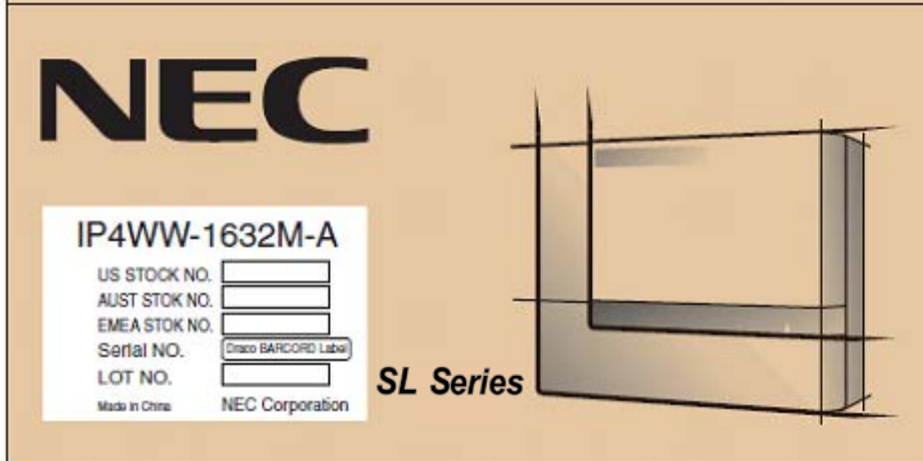


# Packing Box Design





<Size (mm)> : 440(W) x 353 (D) x 223 (H)





## Label Design

**IP4WW-1632M-A**

US STOCK NO.	(BARCORD)
AUST STOK NO.	(Number)
EMEA STOK NO.	(BARCORD)
Serial NO.	Draco BARCORD Label
LOT NO.	(Number)

Made in China NEC Corporation

**IP4WW-1632ME-A EXP**

US STOCK NO.	(BARCORD)
AUST STOK NO.	(Number)
EMEA STOK NO.	(BARCORD)
Serial NO.	Draco BARCORD Label
LOT NO.	(Number)

Made in China NEC Corporation

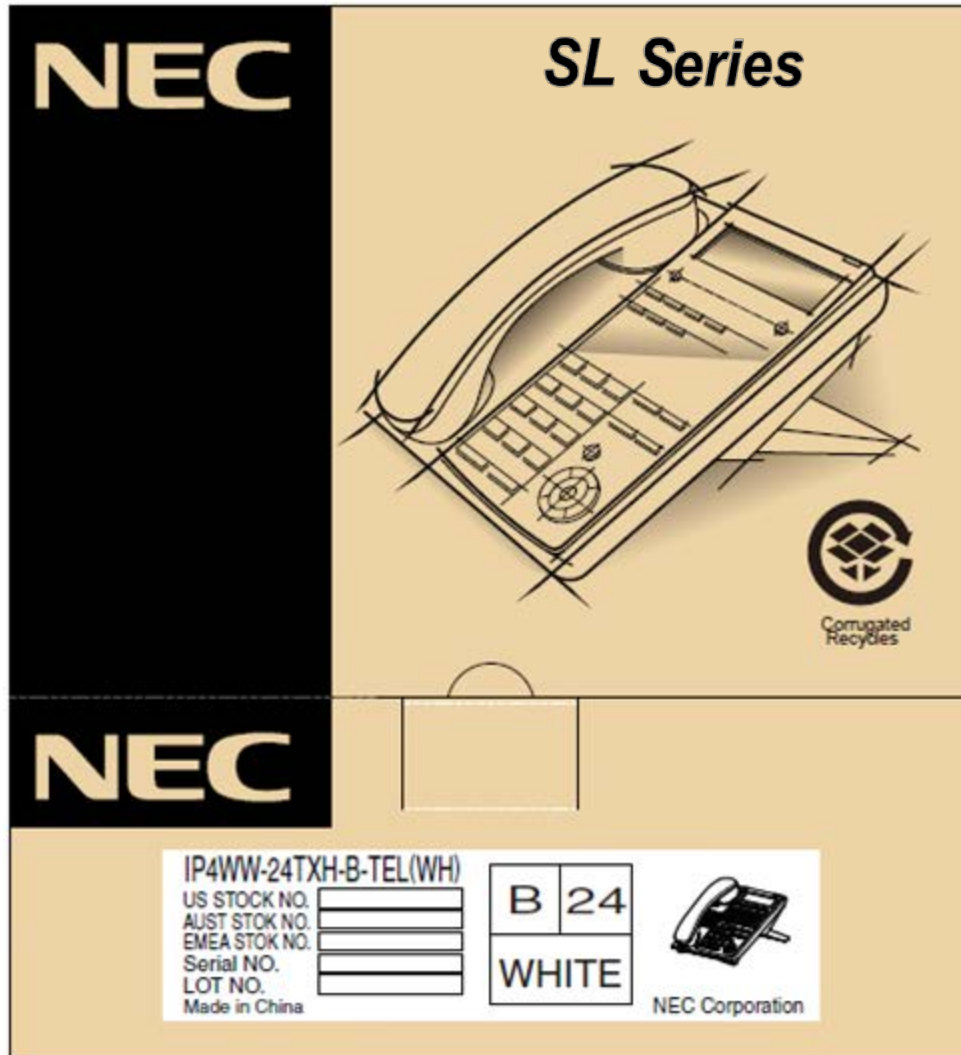
## Accessories Box



<Size (mm)> 300 (W) x 300 (D) x 54 (H)



This box will be used for DSS Console as well. There will be a TEL Drawing (abstract design) on the box, but exact DSS Drawing will be indicated on the Label.



<Size (mm)> 275 (W) x 202 (D) x 105 (H)



# Label Design (Terminal)

SL1000

<Meaning of Indication>

- A : SL1000 Terminal
- B : SL1100 Terminal
- C : IP Terminal

<Meaning of Indication>


- 12 : 12 Keys
- 24 : 24 Keys

IP4WW-24TXH-B-TEL (VM)

US STOCK NO	(BARCORD)
AJST STOCK NO	(Number)
ENEA STOCK NO	(BARCORD)
Serial NO	(BARCORD)
LOT NO	(Number)

Made in China

B	24
WHITE	



NEC Corporation


*Note: A blue arrow labeled 'Link' points from the 'B' in the label to the 'B' in the terminal drawing. A red dashed circle highlights the 'B' and '24' in the terminal drawing, and another red dashed circle highlights the 'WHITE' text.*

IP4WW-12TXH-A-TEL (BK)

US STOCK NO	(BARCORD)
AJST STOCK NO	(Number)
ENEA STOCK NO	(BARCORD)
Serial NO	(BARCORD)
LOT NO	(Number)

Made in China

A	12
BLACK	



Corporation

*Note: A red dashed circle highlights the terminal drawing. A red box contains the text '<Meaning of Indication> Terminal Color' pointing to the 'BLACK' text in the terminal drawing. Another red box contains the text 'TEL Drawing on the Label will be exactly same with contained Terminal.' pointing to the terminal drawing.*

Empowered by Innovation

**NEC**

